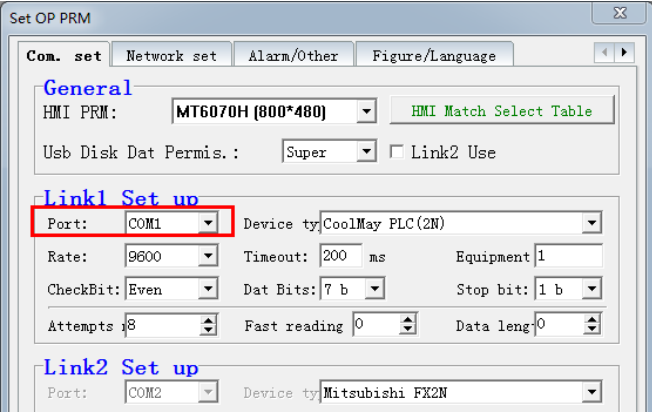


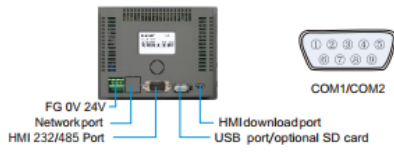
## Differences between MT90 series and MT60 series HMI

Differences	MT60 series	MT90 series
<b>Software</b>		
<b>Language</b>	Support 18 languages	Only support Chinese& English
<b>Data storage</b>	USB flash disk or SD card can be used or store in internal of HMI, the maximum storage is 100,000.	Only can be stored in the internal of HMI, the maximum storage is 30,000.
<b>USB function</b>	Support USB flash disk/SD card download program and import and export data in database, support external mouse, USB flash disk, etc.	Does not support USB flash disk export data and download program.
<b>Product authorization</b>	Available	Null
<b>Pop-up function</b>	Support setting popup window, window size can be set.	Pop-up window is not supported, only page can be jumped.
<b>Download driver</b>	When operating system is win7/ win8 and win10, need manually update the driver.	Automatic identification, do not need to manually update driver.
<b>Operating system</b>	Based on wince5.0(H series) and wince7.0 (HA series) to develop. There is a startup screen.	No operating system, no startup screen, faster startup.

<p><b>Software communication port</b></p>	 <p>Default COM1: RS232 COM 2: RS485</p>	<p>MT9043(50)KH Default COM1:RS232/RS485 (Can only choose one) COM 2: RS232 MT9037H/MT9070KH Default COM1: RS232 COM 2: RS485</p>
<p><b>Hardware</b></p>		
<p><b>Vertical screen</b></p>	<p>MT60**H series support vertical screen</p>	<p>Null</p>
<p><b>USB port</b></p>	<p>Default</p>	<p>Null</p>
<p><b>SD card</b></p>	<p>Optional</p>	<p>Null</p>
<p><b>Ethernet port</b></p>	<p>Optional</p>	<p>Null</p>
<p><b>Audio</b></p>	<p>Optional</p>	<p>Null</p>
<p><b>CAN</b></p>	<p>Null</p>	<p>MT9043(50)KH/MT9070KH Optional (Can not coexist with COM2)</p>

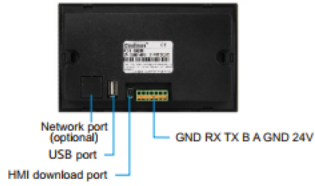
Hardware interface

**MT6043H**



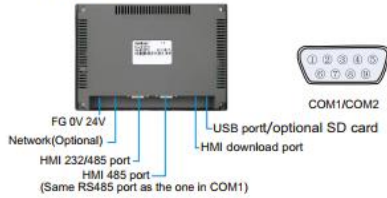
Pin No	Signal	Description
Definition of RS232 COM		
2	RXD	Receive
3	TXD	Send
5	GND	Ground
Definition of RS485 COM		
1	A	485+
6	B	485-

**MT6050H**



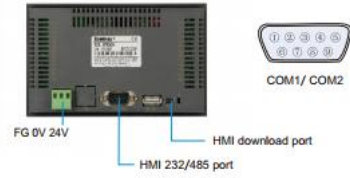
Pin No	Description
Definition of Rs232 COM port	
RXD	Receive
TXD	Send
GND	Ground
Definition of Rs485 COM port	
A	485+
B	485-
DC24V power supply	
24V	DC24V+
GND	DC24V-

**MT6070H**



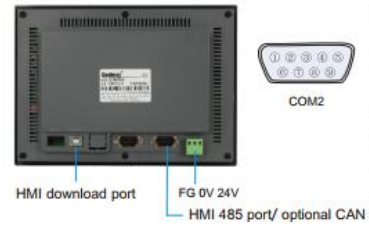
Pin No	Signal	Description
Definition of COM1 RS232 port		
2	RXD	Receive
3	TXD	Send
5	GND	Ground
Definition of COM1/COM2 RS485 port		
1	A	485+
6	B	485-

**MT9043KH/MT9050KH**



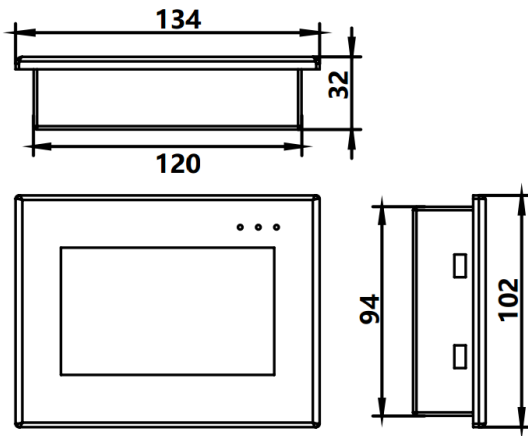
Pin No	Signal	Description
Definition of Rs232 COM port		
2/4	RXD	Receive
3/7	TXD	Send
5	GND	Ground
Definition of Rs485 COM port		
1	A	485+
6	B	485-
Definition of COM2 CAN port		
8		H
9		L

**MT9070KH**

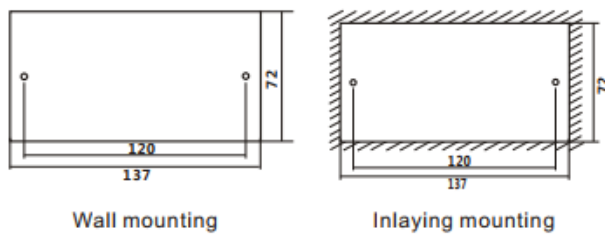


Pin No	Signal	Description
Definition of Rs232 COM port		
2	RXD	Receive
3	TXD	Send
5	GND	Ground
Definition of COM2 RS485 port		
1	A	485+
6	B	485-
Definition of COM2 CAN port		
8		H
9		L

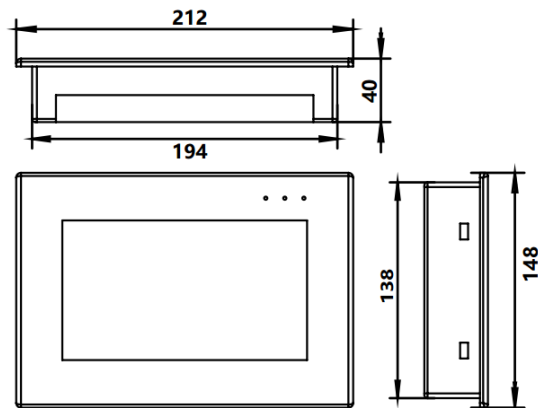
MT6043H



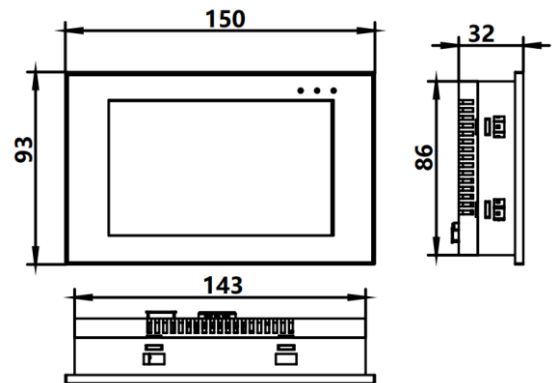
MT6050H



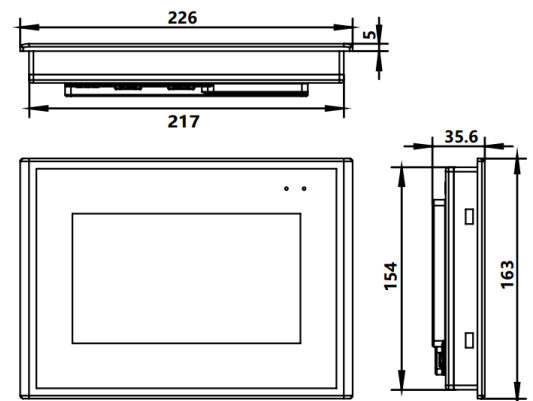
MT6070H



MT9043(50)KH



MT9070KH



Cutout  
size